

»» **KX SAFEFLEX**

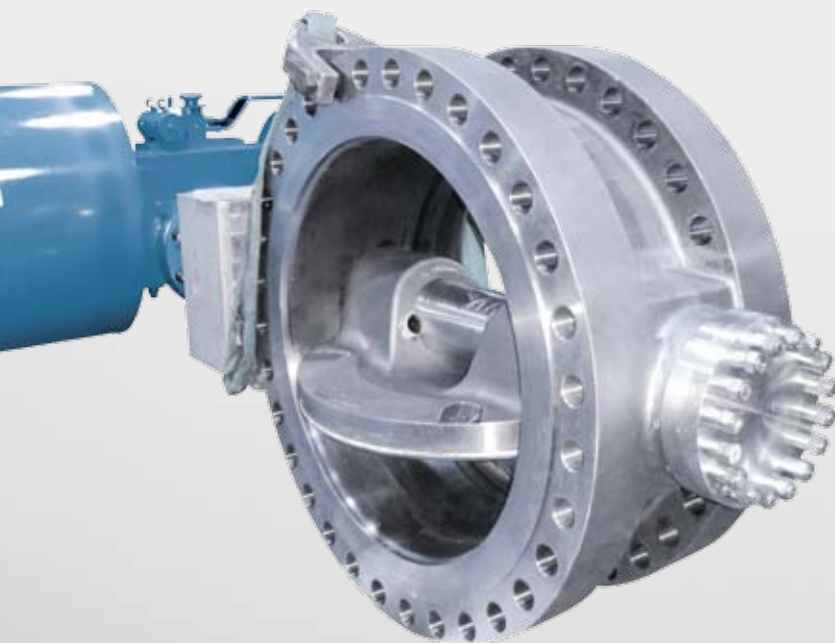
TRIPLE-OFFSET METAL SEATED BUTTERFLY VALVE

DN 100 - DN 2800 / 4" - 112"

PN 10 - PN 250

ANSI Class 150-2500

SHUT-OFF AND MODULATING SERVICE - SAFE AND ECONOMIC



+ HIGHER CV/KV VALUE

+ LOW BREAK AWAY TORQUE

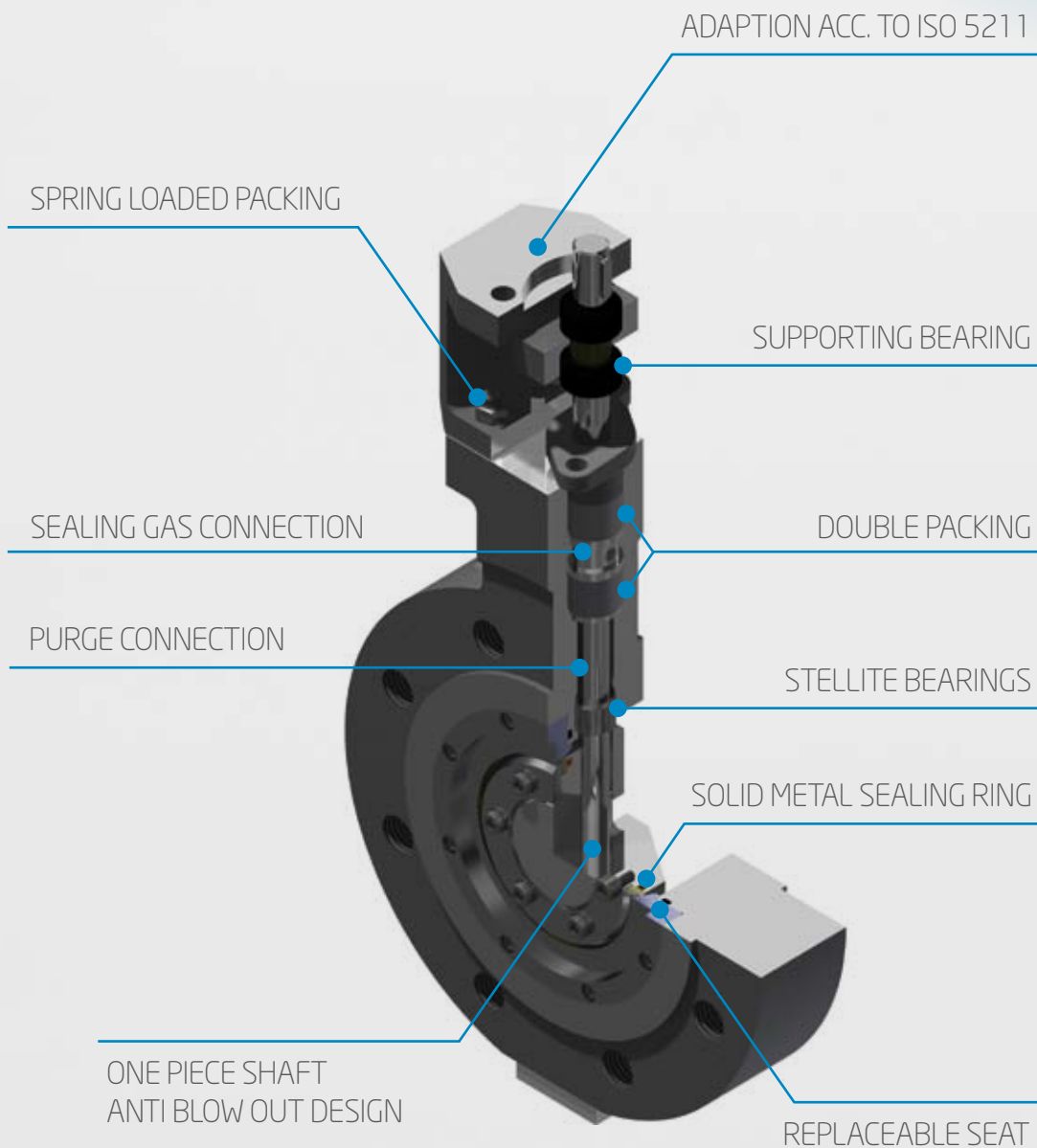
+ SELF CENTERING



OHL Gutermuth Industrial Valves GmbH

>> KX SAFEFLEX

DESCRIPTION



DESIGN PRINCIPLE

TRIPLE OFFSET PLUS +

KX Safeflex is a series of the latest generation from OHL Gutermuth. It combines properties, functions and versatile applications which are new in this combination and are particularly economical. For instance, KX Safeflex provides the highest standards in operating reliability and a long service life at high pressures or under dynamic loading as well as an excellent tight seal from „very hot“ to „very cold“.

DESIGN PRINCIPLE

TRIPLE OFFSET PLUS +

KX Safeflex provides a valve which is reliable, cost-effective and due to specification for critical applications and in various aspects is far superior to conventional solutions. OHL Gutermuth supplies this series of butterfly valves in many variations in terms of function, construction and material, fully adapted to the individual operational requirements. Throughout the sectors of power stations, paper and chemical industry, petrochemicals, gas industry, water and wastewater, oil supply, refineries, iron and steel industry, sugar industry, shipbuilding, plant construction and district heating supply, KX Safeflex provides superior engineering for shutoff and control – reliably and economically.

- + HIGHER CV/KV VALUE
- + ROUND SEAT AND SEALING RING
- + SELF CENTERING
- + EASY REPAIR BY SELF CENTERING DESIGN
- + MAINTENANCE FREE
- + NO FRICTION THEREFORE NO WEAR
- + LOW BREAK AWAY TORQUE

- + SEALING RING ADAPTED TO EACH MEDIUM IN TERMS OF TEMPERATURE AND CORROSION
- + PRESSURE RATES UP TO CLASS 2500
- + TEMPERATURE RATES -196°... +850°C

3+
TRIPLE ECCENTRIC PLUS

+ HIGHER CV/KV VALUE

+ TEMPERATURE RATES
-196°... +850°C

+ SELF CENTERING

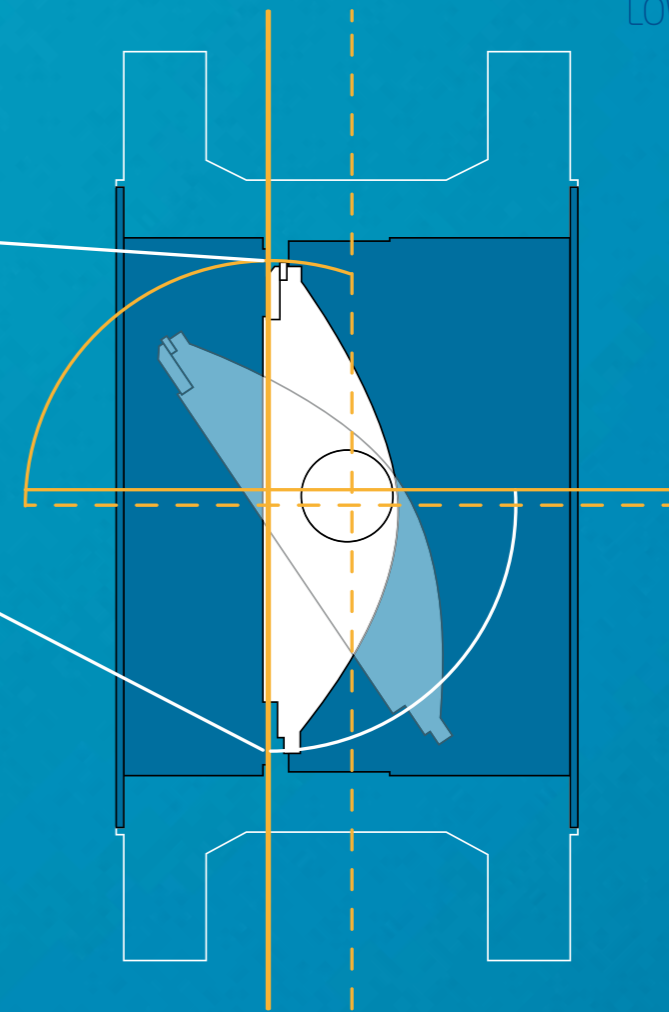


OHL Gutermuth Industrial Valves GmbH

In the KX Safeflex version with the fitting disc seat, there is no high torque and no frictional wear of the disc seal during opening and closing. In contrast, soft-seated valves require a high closing torque to squash the disc seal tight over a relatively long squeezing path in the housing seat. In contrast to soft-seated valves, KX Safeflex butterfly valves do not have dynamic torque during opening. Wide temperature and pressure variations are also compensated by the innovative geometry of the seat angle. This prevents the disc from sticking in the body. The sealing ring can easily be exchanged and is easy to maintain due to its rotational symmetry. A performance comparison of various basic construction series proves the superiority of the OHL Gutermuth KX Safeflex butterfly valve with triple eccentricity wherever there are particularly extreme conditions in operation and wherever there is a demand for high reliability and completely tight sealing.

+ ROUND SEAT AND SEALING RING

+ LOW BREAK AWAY TORQUE



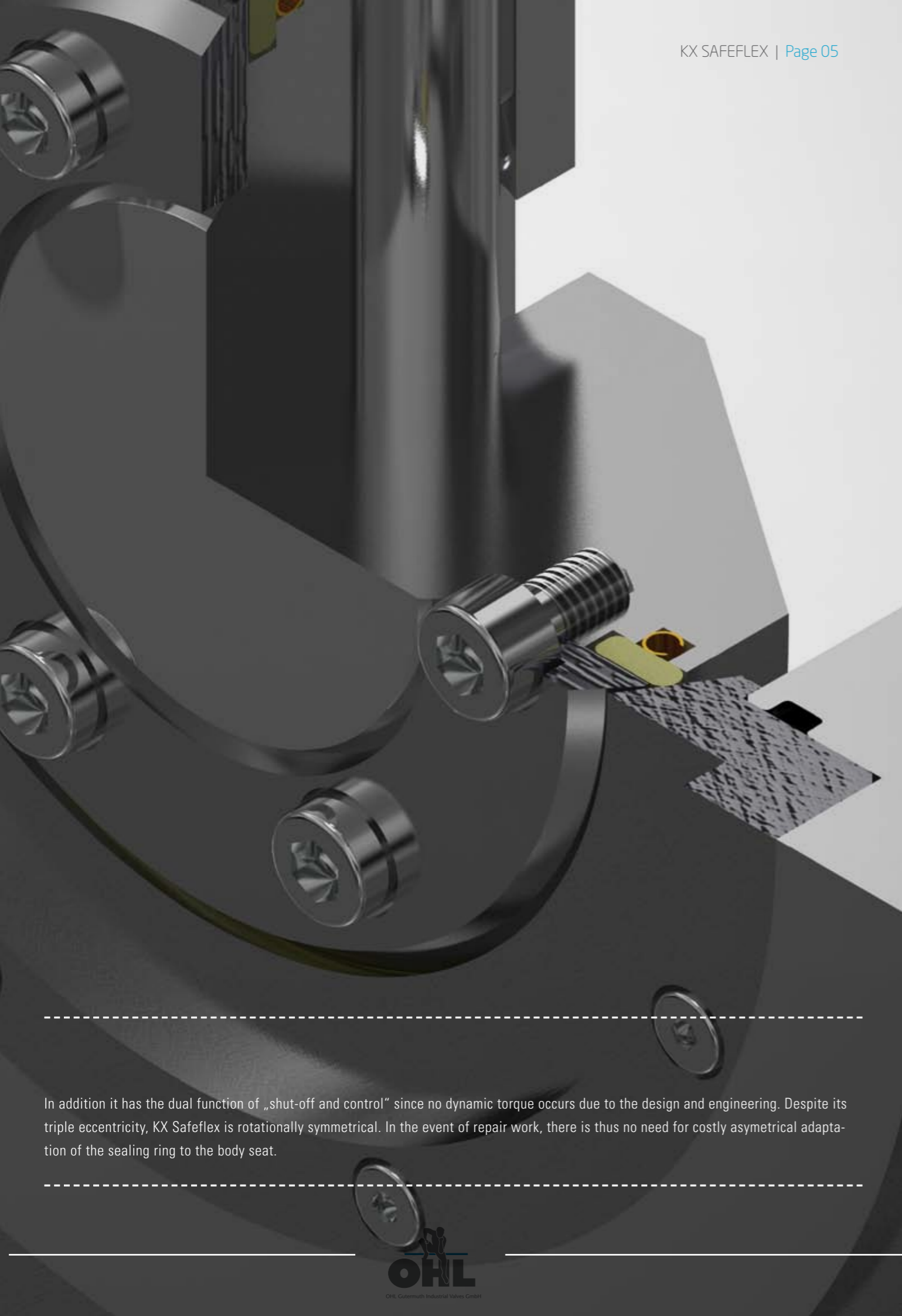
+ EASY REPAIR BY SELF CENTERING DESIGN



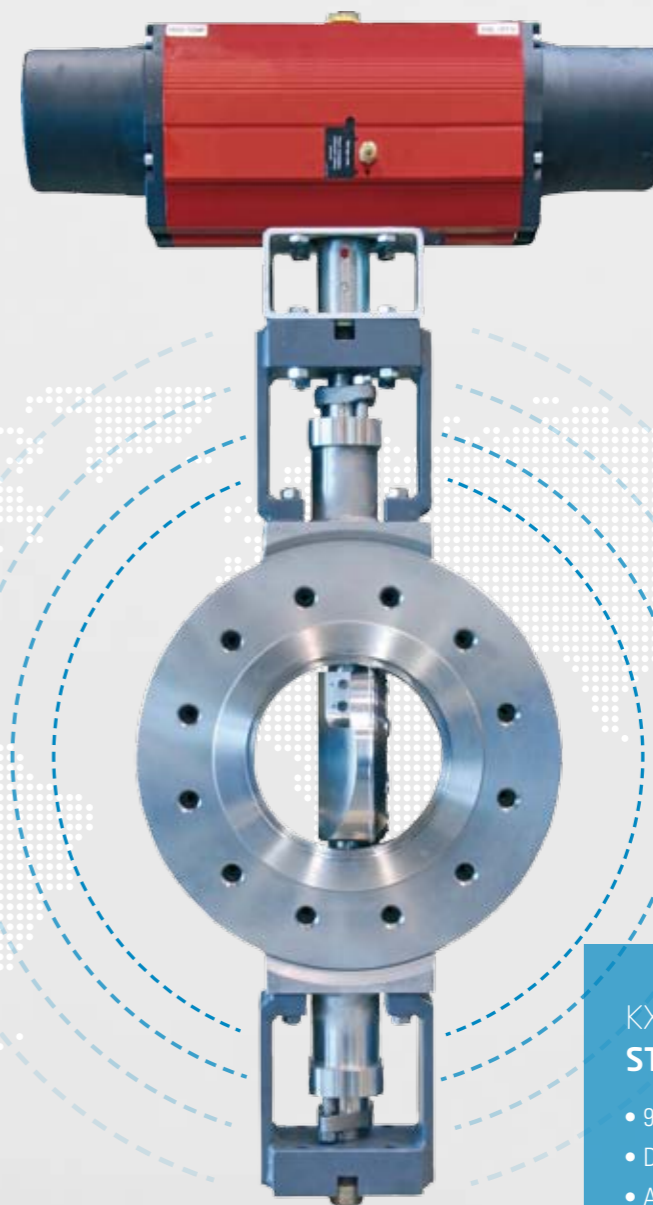
OHL Gutermuth Industrial Valves GmbH

» KX SAFEFLEX

DESCRIPTION



In addition it has the dual function of „shut-off and control“ since no dynamic torque occurs due to the design and engineering. Despite its triple eccentricity, KX Safeflex is rotationally symmetrical. In the event of repair work, there is thus no need for costly asymmetrical adaptation of the sealing ring to the body seat.



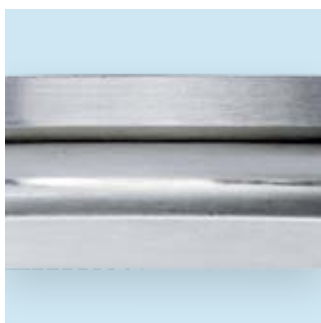
KX SAFEFLEX STANDARDS

- 97/23 EG Pressure directive
- DIN EN 12516 (DIN 3840)
- ANSI B 16.34
- AD 2000
- NACE MR 0175 , NACE MR 0103
- 94/9 EG ATEX
- Leak rate A in acc. DIN EN 12266
- Leak rate in acc. to FCI
- Fire Safe
- in acc. API 607, BS 6755

- + AVAILABLE UP TO SIZE DN 2800 BIGGER SIZES ON REQUEST
- + AVAILABLE UP TO CLASS 2500
- + ZERO LEAKAGE UNDER A WIDE RANGE OF TEMPERATURES AND PRESSURE RATES
- + VERY LOW BREAKAWAY TORQUES, 45% LOWER THAN LAMINATED SEALING
- + DEAD SPACE AREA MINIMIZED
- + HIGHER KV-/CV VALUE
- + MINOR DIRT ACCUMULATION ON DISC AND BEARING AREA
- + TIGHT IN BOTH DIRECTIONS
- + ISO 5211 TOP FLANGE CONNECTION FOR ACTUATION
- + METAL SEALINGS AVAILABLE IN STAINLESS STEEL, DUPLEX, HASTELOY, INCONEL AND TITANIUM
- + LAMINATED SEALING RING AVAILABLE FOR BASIC APPLICATIONS
- + HARDENED SEAT AVAILABLE IN MANY DIFFERENT MATERIALS
- + REPLACEABLE SEAT AVAILABLE AS OPTION
- + FULL INTENSIVE HEATING JACKET AS OPTION
- + PURGE AND SEAL CONNECTION AS OPTION
- + DIFFERENT SOLUTIONS FOR NOISE REDUCTION
- + FLOW CONTROL INSERTS TO CONTROL A LOW AND HIGH FLOW RATE
- + FRICTION FREE
- + TA-LUFT, LIFE LOADED PACKING
- + TEMPERATURE RANGE -196 °C UP TO +850 °C
- + PERFECT SUPPORT OF DISC BECAUSE OF UNIQUE SHAFT GUIDANCE
- + FLOATING SEAL DESIGN
- + SOLUTIONS AVAILABLE FOR STROKING TIMES BELOW 0,1 SECONDS
- + BEARING PROTECTION AS OPTION
- + FIRE SAFE ACC. TO API607 5TH EDITION AND SIL APPROVED
- + NO WEAR
- + BRAND NEW DISC DESIGN FOR OPTIMIZED CONTROL APPLICATIONS
- + PERFECT REGULATION PERFORMANCE, EQUAL PERCENTAGE CHARACTERISTIC BETWEEN 15° AND 80° OF OPENING

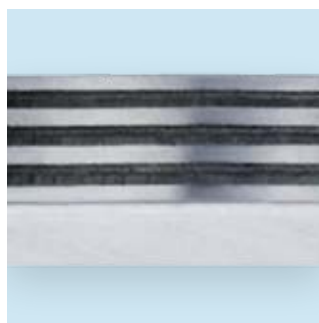
3⁺
TRIPLE ECCENTRIC PLUS

KX SAFEFLEX VERSIONS OF THE SEAL



STAINLESS STEEL

OPTIONAL:
INCONEL | HASTELOY
TITANIUM | DUPLEX



GRAPHITE LAMELLA



PTFE O-RING

>> KX SAFEFLEX

DESCRIPTION

Special solutions



SPECIAL BUTTERFLY VALVES
FOR HIGH-PRESSURE



SPECIAL BUTTERFLY VALVES
FOR HIGH TEMPERATURE



SPECIAL BUTTERFLY VALVES
FOR LOW TEMPERATURE

KX SAFEFLEX APPLICATION AREA



POWER
STATION



STEEL
WORKS



PAPER / PULP
INDUSTRY



SUGAR
MILLS



SOLAR
SYSTEMS

DESIGN PRINCIPLE

TRIPLE OFFSET PLUS +

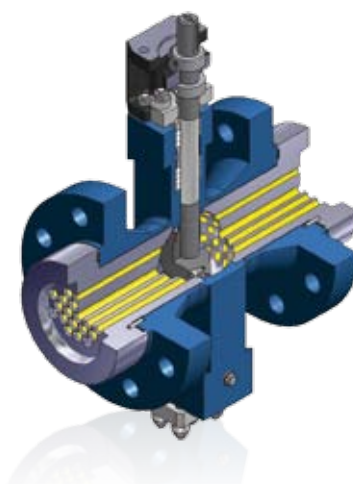
Butterfly valves of the Triple Eccentric+ series are planned and produced in accordance with user-specific requirements. In standard length dimensions to DIN or to individual requirements. Leakage in accordance with ANSI and DIN, in different materials, starting from the nominal bore DN 100 with all common types of valve actuator systems. Triple Eccentric+ permits connection in accordance with all national and international standards. A top quality series of butterfly valves from OHL Gutermuth which meets even the highest requirements.



VACUUM AND LOW
PRESSURE SOLUTION



SPECIAL VALVES
FROM SMALL TO BIG SIZES



SPECIAL BUTTERFLY VALVES
FOR ABRASIVE MEDIA



DESULPHURIZATION
PLANTS



CHEMICAL
INDUSTRY



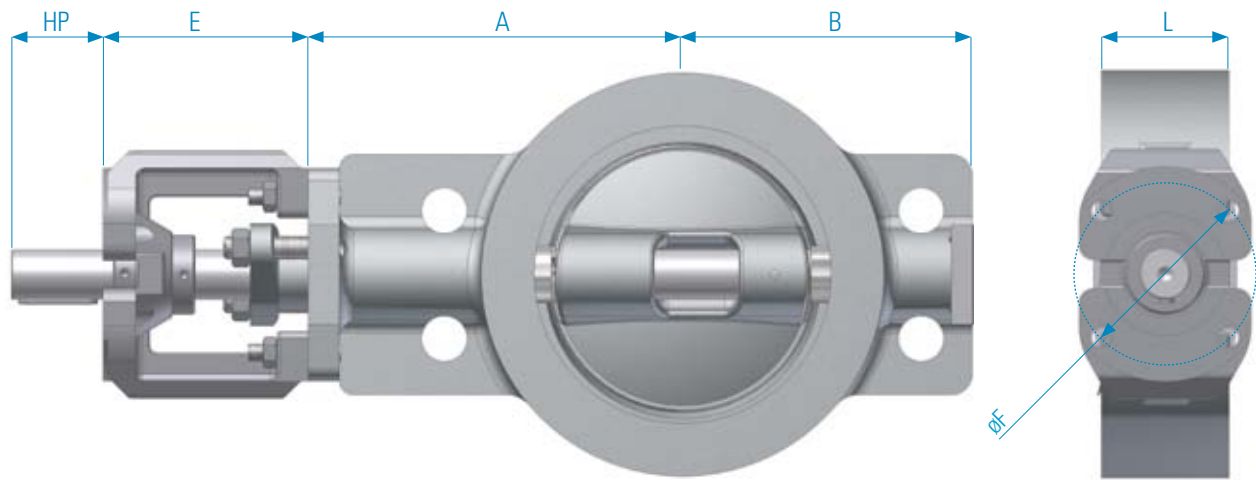
PETROCHEMICAL
INDUSTRY



DISTRICT
HEATING

»» SERIES KX SAFEFLEX

TECHNICAL DATA

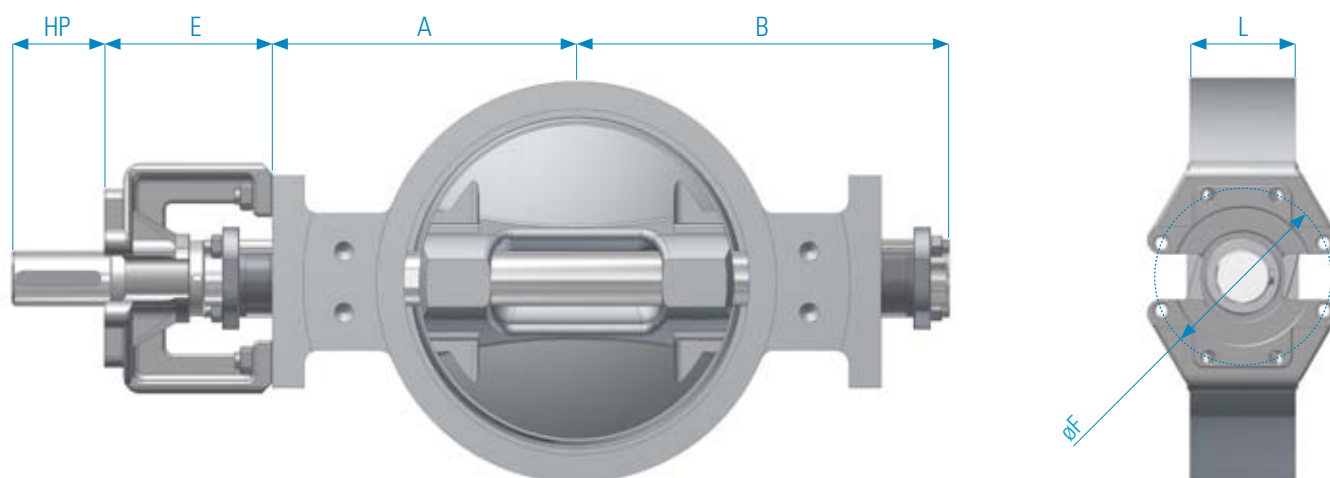


Model: KXC 10 Tripple eccentric plus

DIMENSIONS

| DN | | Approx. weight kg | øF | HP | L | A | B | E |
|------|------|----------------------|---------|-----|-----|-----|-----|-----|
| mm | inch | | | | | | | |
| 100 | 4 | 16 | F10 | 45 | 64 | 155 | 135 | 100 |
| 125 | 5 | 21 | F10 | 45 | 70 | 165 | 145 | 100 |
| 150 | 6 | 25 | F12 | 55 | 76 | 180 | 160 | 120 |
| 200 | 8 | 30 | F10 | 45 | 89 | 235 | 160 | 100 |
| 250 | 10 | 46 | F10 | 45 | 114 | 260 | 210 | 100 |
| 300 | 12 | 62 | F12 | 55 | 114 | 285 | 250 | 120 |
| 350 | 14 | 85 | F12 | 55 | 127 | 310 | 290 | 120 |
| 400 | 16 | 113 | F12/F14 | 65 | 140 | 355 | 320 | 120 |
| 450 | 18 | 149 | F14 | 75 | 152 | 380 | 340 | 155 |
| 500 | 20 | 176 | F14 | 75 | 152 | 405 | 390 | 155 |
| 600 | 24 | 236 | F14/F16 | 85 | 178 | 455 | 450 | 155 |
| 700 | 28 | 390 | F16 | 95 | 229 | 505 | 500 | 180 |
| 800 | 32 | 499 | F16/F25 | 95 | 241 | 575 | 570 | 180 |
| 900 | 36 | 608 | F16/F25 | 95 | 241 | 625 | 620 | 180 |
| 1000 | 40 | 844 | F25 | 135 | 300 | 695 | 690 | 245 |

OHL Gutermuth reserves the right to change the contents without notice.
Without our prior consent, it may not be reproduced, disclosed to third parties.



Model: KXC 25 Tripple eccentric plus

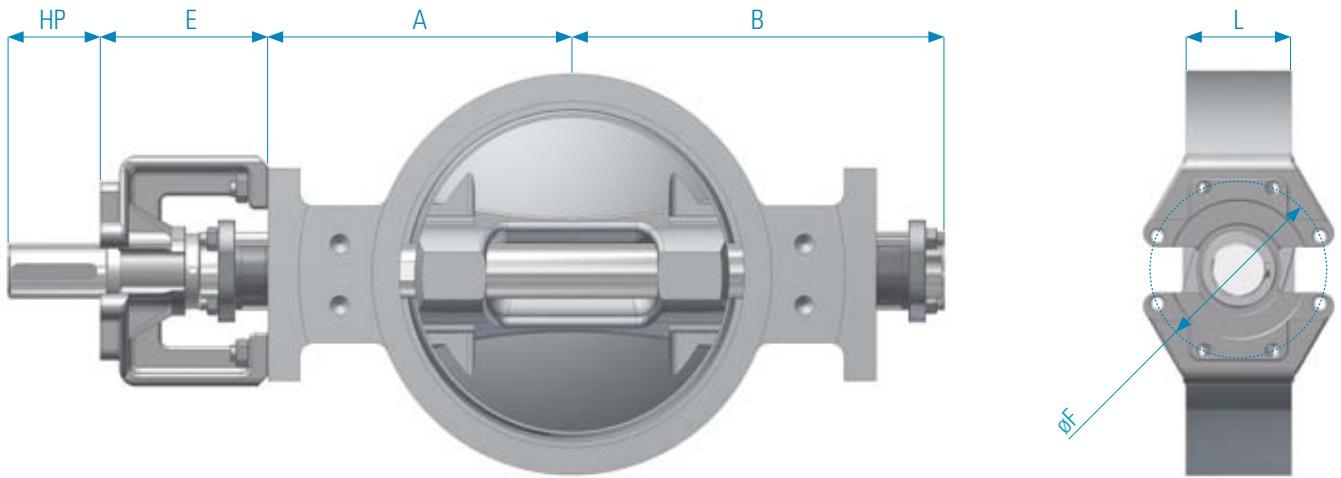
DIMENSIONS

| DN | | Approx. weight kg | øF | HP | L | A | B | E |
|------|------|-------------------|---------|-----|-----|-----|-----|-----|
| mm | inch | | | | | | | |
| 100 | 4 | 16 | F10 | 45 | 64 | 155 | 195 | 100 |
| 125 | 5 | 21 | F10 | 45 | 70 | 165 | 205 | 100 |
| 150 | 6 | 28 | F12 | 55 | 76 | 180 | 230 | 120 |
| 200 | 8 | 45 | F12 | 55 | 89 | 235 | 285 | 120 |
| 250 | 10 | 72 | F12 | 65 | 114 | 260 | 310 | 120 |
| 300 | 12 | 85 | F14 | 75 | 114 | 285 | 350 | 155 |
| 350 | 14 | 125 | F14 | 85 | 127 | 310 | 375 | 155 |
| 400 | 16 | 165 | F14 | 85 | 140 | 355 | 420 | 155 |
| 450 | 18 | 195 | F16 | 95 | 152 | 380 | 445 | 180 |
| 500 | 20 | 269 | F16 | 95 | 152 | 445 | 520 | 180 |
| 600 | 24 | 378 | F16/F25 | 95 | 178 | 495 | 570 | 180 |
| 700 | 28 | 550 | F25 | 135 | 229 | 575 | 675 | 245 |
| 800 | 32 | 739 | F25/F30 | 135 | 241 | 635 | 735 | 245 |
| 900 | 36 | 935 | F30 | 160 | 241 | 675 | 785 | 350 |
| 1000 | 40 | 1291 | F35 | 200 | 300 | 725 | 835 | 350 |

OHL Gutermuth reserves the right to change the contents without notice. Without our prior consent, it may not be reproduced, disclosed to third parties.

>> SERIES KX SAFEFLEX

TECHNICAL DATA

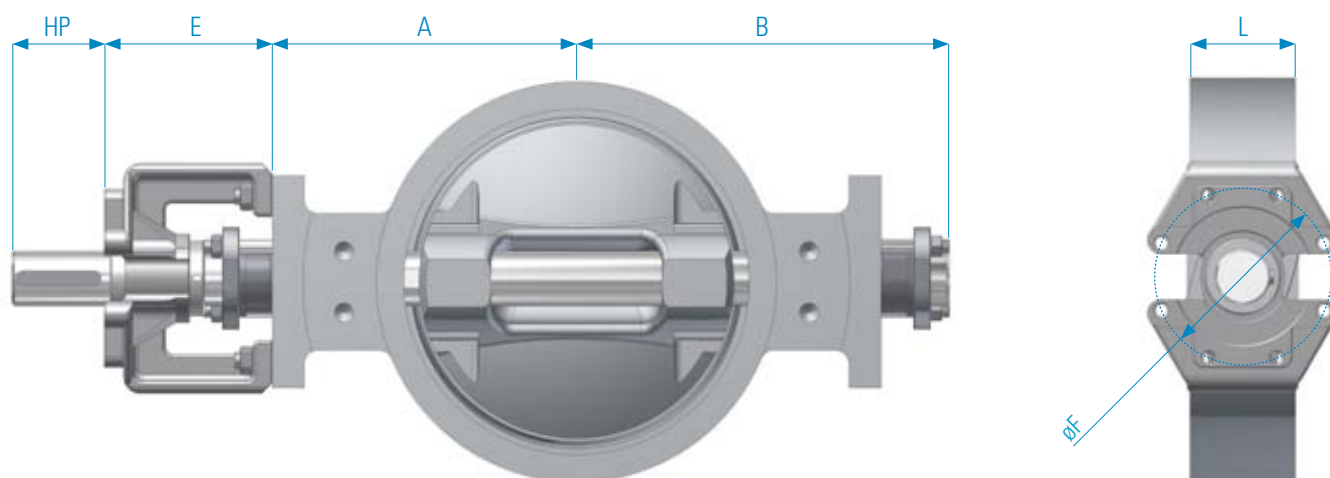


Model: KXC 50 Tripple eccentric plus

DIMENSIONS

| DN | | Approx. weight kg | øF | HP | L | A | B | E |
|------|------|-------------------|-----|-----|-----|-----------------------|-----|-----|
| mm | inch | | | | | | | |
| 100 | 4 | 16 | F10 | 45 | 64 | 155 | 195 | 100 |
| 125 | 5 | 21 | F10 | 45 | 70 | 170 | 205 | 100 |
| 150 | 6 | 30 | F12 | 55 | 76 | 180 | 230 | 120 |
| 200 | 8 | 51 | F12 | 65 | 89 | 235 | 285 | 120 |
| 250 | 10 | 86 | F14 | 85 | 114 | 260 | 325 | 155 |
| 300 | 12 | 119 | F16 | 95 | 114 | 310 | 385 | 180 |
| 350 | 14 | 170 | F16 | 95 | 127 | 340 | 415 | 180 |
| 400 | 16 | 228 | F16 | 95 | 140 | 375 | 450 | 180 |
| 450 | 18 | 240 | F16 | 95 | 152 | 400 | 475 | 180 |
| 500 | 20 | 295 | F25 | 135 | 152 | 425 | 525 | 245 |
| 600 | 24 | 525 | F30 | 160 | | | | 350 |
| 700 | 28 | 715 | F30 | 160 | | | | 350 |
| 800 | 32 | 935 | F35 | 200 | | Dimensions on request | | 350 |
| 900 | 36 | 1260 | F35 | 200 | | | | 350 |
| 1000 | 40 | 1550 | F40 | 200 | | | | 350 |

OHL Gutermuth reserves the right to change the contents without notice.
Without our prior consent, it may not be reproduced, disclosed to third parties.



Model: KXC 100 Tripple eccentric plus

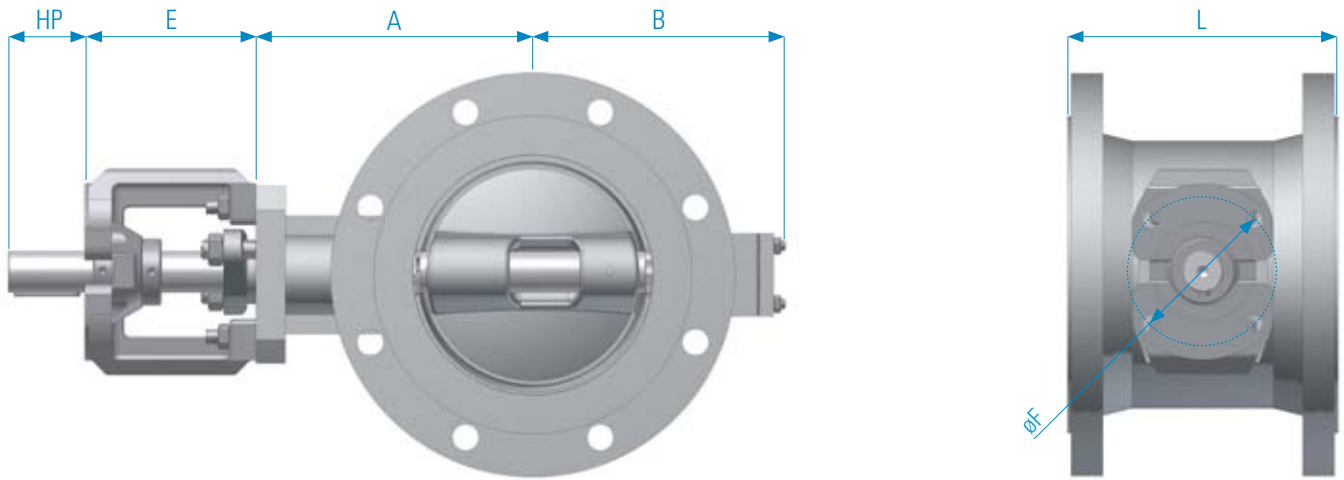
DIMENSIONS

| DN | | Approx. weight kg | øF | HP | L | A | B | E |
|------|------|-------------------|-----|-----|-----|-----------------------|-----|-----|
| mm | inch | | | | | | | |
| 100 | 4 | 30 | F10 | 45 | 64 | 185 | 225 | 100 |
| 125 | 5 | 65 | F12 | 55 | 70 | 215 | 265 | 120 |
| 150 | 6 | 72 | F12 | 65 | 76 | 240 | 290 | 120 |
| 200 | 8 | 102 | F14 | 85 | 102 | 265 | 330 | 155 |
| 250 | 10 | 187 | F16 | 95 | 114 | 300 | 375 | 180 |
| 300 | 12 | 254 | F16 | 95 | 160 | 385 | 460 | 180 |
| 350 | 14 | 329 | F25 | 135 | 178 | 400 | 500 | 245 |
| 400 | 16 | 520 | F25 | 135 | 178 | 425 | 525 | 245 |
| 450 | 18 | 635 | F30 | 160 | 200 | 450 | 550 | 350 |
| 500 | 20 | 804 | F30 | 160 | 210 | 475 | 585 | 350 |
| 600 | 24 | 1243 | F35 | 200 | | | | 350 |
| 700 | 28 | 1385 | F35 | 200 | | | | 350 |
| 800 | 32 | 1490 | F40 | 200 | | Dimensions on request | | 350 |
| 900 | 36 | 1680 | - | - | | | | - |
| 1000 | 40 | 1850 | - | - | | | | - |

OHL Gutermuth reserves the right to change the contents without notice.
 Without our prior consent, it may not be reproduced, disclosed to third parties.

» SERIES KX SAFEFLEX

TECHNICAL DATA

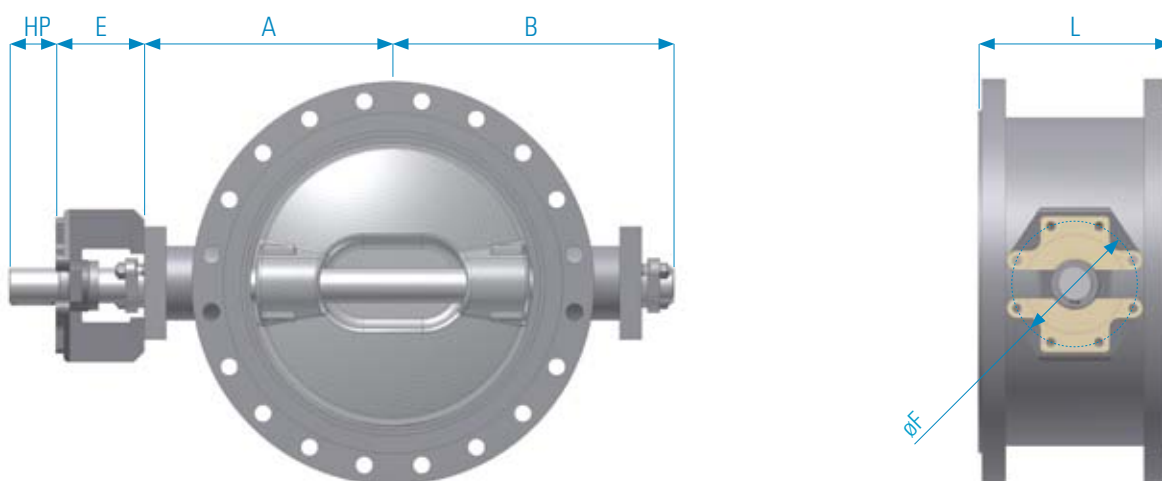


Model: KXL 10 Tripple eccentric plus

DIMENSIONS

| DN | | Approx. weight kg | øF | HP | L | A | B | E |
|------|------|----------------------|---------|-----|-----|-----|-----|-----|
| mm | inch | | | | | | | |
| 100 | 4 | 30 | F10 | 45 | 190 | 155 | 135 | 100 |
| 125 | 5 | 39 | F10 | 45 | 200 | 165 | 145 | 100 |
| 150 | 6 | 52 | F12 | 55 | 210 | 180 | 160 | 120 |
| 200 | 8 | 66 | F10 | 45 | 230 | 235 | 160 | 100 |
| 250 | 10 | 94 | F10 | 45 | 250 | 260 | 210 | 100 |
| 300 | 12 | 135 | F12 | 55 | 270 | 285 | 250 | 120 |
| 350 | 14 | 182 | F12 | 55 | 290 | 310 | 290 | 120 |
| 400 | 16 | 235 | F12/F14 | 65 | 310 | 355 | 320 | 120 |
| 450 | 18 | 287 | F14 | 75 | 330 | 380 | 340 | 155 |
| 500 | 20 | 345 | F14 | 75 | 350 | 405 | 390 | 155 |
| 600 | 24 | 466 | F14/F16 | 85 | 390 | 455 | 450 | 155 |
| 700 | 28 | 538 | F16 | 95 | 430 | 505 | 500 | 180 |
| 800 | 32 | 683 | F16/F25 | 95 | 470 | 575 | 570 | 180 |
| 900 | 36 | 866 | F16/F25 | 95 | 510 | 625 | 620 | 180 |
| 1000 | 40 | 1168 | F25 | 135 | 550 | 695 | 690 | 245 |

OHL Gutermuth reserves the right to change the contents without notice.
Without our prior consent, it may not be reproduced, disclosed to third parties.



Model: KXL 25 Tripple eccentric plus

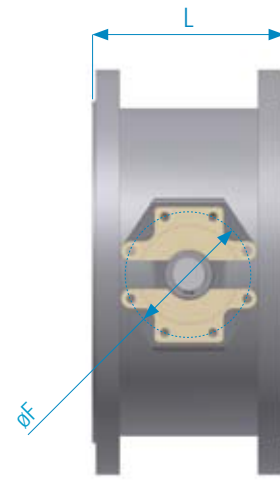
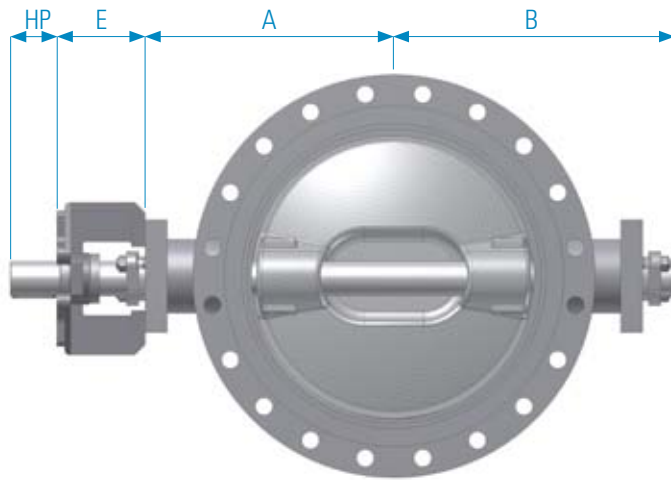
DIMENSIONS

| DN | | Approx. weight kg | øF | HP | L | A | B | E |
|------|------|-------------------|---------|-----|-----|-----|-----|-----|
| mm | inch | | | | | | | |
| 100 | 4 | 30 | F10 | 45 | 190 | 155 | 195 | 100 |
| 125 | 5 | 39 | F10 | 45 | 200 | 165 | 205 | 100 |
| 150 | 6 | 52 | F12 | 55 | 210 | 180 | 230 | 120 |
| 200 | 8 | 75 | F12 | 55 | 230 | 235 | 285 | 120 |
| 250 | 10 | 110 | F12 | 65 | 250 | 260 | 310 | 120 |
| 300 | 12 | 156 | F14 | 75 | 270 | 285 | 350 | 155 |
| 350 | 14 | 228 | F14 | 85 | 290 | 310 | 375 | 155 |
| 400 | 16 | 295 | F14 | 85 | 310 | 355 | 420 | 155 |
| 450 | 18 | 325 | F16 | 95 | 330 | 380 | 445 | 180 |
| 500 | 20 | 438 | F16 | 95 | 350 | 445 | 520 | 180 |
| 600 | 24 | 608 | F16/F25 | 95 | 390 | 495 | 570 | 180 |
| 700 | 28 | 698 | F25 | 135 | 430 | 575 | 675 | 245 |
| 800 | 32 | 923 | F25/F30 | 135 | 470 | 635 | 735 | 245 |
| 900 | 36 | 1193 | F30 | 160 | 510 | 675 | 785 | 350 |
| 1000 | 40 | 1615 | F35 | 200 | 550 | 725 | 835 | 350 |

OHL Gutermuth reserves the right to change the contents without notice. Without our prior consent, it may not be reproduced, disclosed to third parties.

»» SERIES KX SAFEFLEX

TECHNICAL DATA

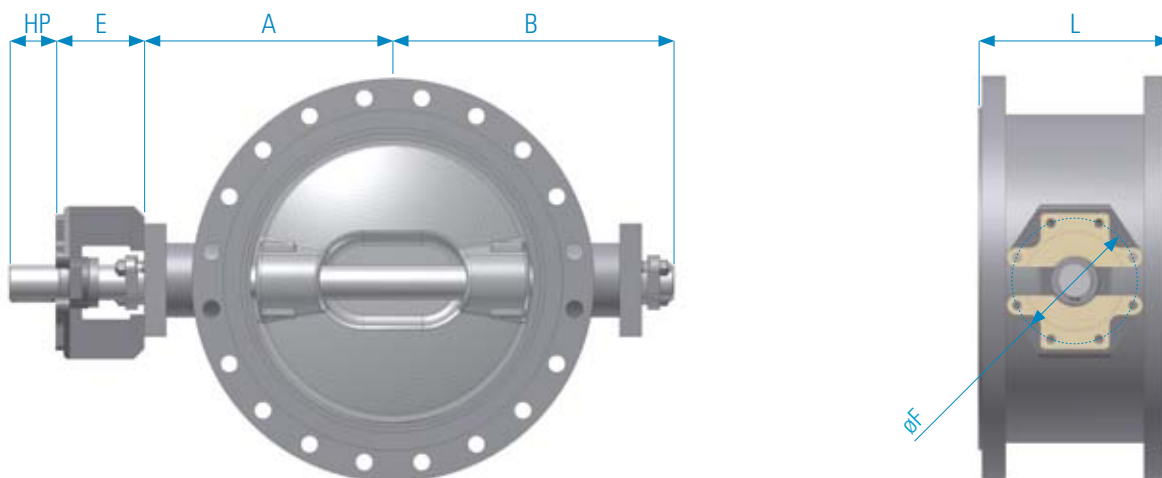


Model: KXL 50 Tripple eccentric plus

DIMENSIONS

| DN | | Approx. weight kg | øF | HP | L | A | B | E |
|------|------|----------------------|-----|-----|-----|-----------------------|-----|-----|
| mm | inch | | | | | | | |
| 100 | 4 | 30 | F10 | 45 | 190 | 155 | 195 | 100 |
| 125 | 5 | 39 | F10 | 45 | 200 | 170 | 205 | 100 |
| 150 | 6 | 52 | F12 | 55 | 210 | 180 | 230 | 120 |
| 200 | 8 | 87 | F12 | 65 | 240 | 235 | 285 | 120 |
| 250 | 10 | 134 | F14 | 85 | 250 | 260 | 325 | 155 |
| 300 | 12 | 192 | F16 | 95 | 270 | 310 | 385 | 180 |
| 350 | 14 | 267 | F16 | 95 | 290 | 340 | 415 | 180 |
| 400 | 16 | 350 | F16 | 95 | 310 | 375 | 450 | 180 |
| 450 | 18 | 377 | F16 | 95 | 330 | 400 | 475 | 180 |
| 500 | 20 | 464 | F25 | 135 | 500 | 425 | 525 | 245 |
| 600 | 24 | 957 | F30 | 160 | | | | 350 |
| 700 | 28 | 1335 | F30 | 160 | | | | 350 |
| 800 | 32 | 1957 | F35 | 200 | | Dimensions on request | | 350 |
| 900 | 36 | 2590 | F35 | 200 | | | | 350 |
| 1000 | 40 | 2710 | F40 | 200 | | | | 350 |

OHL Gutermuth reserves the right to change the contents without notice.
Without our prior consent, it may not be reproduced, disclosed to third parties.



Model: KXL 100 Tripple eccentric plus

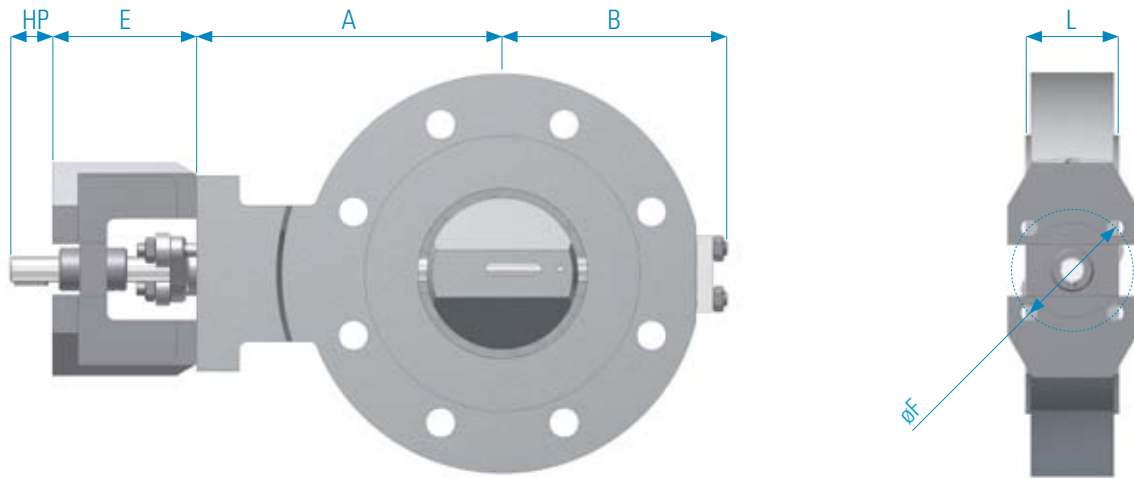
DIMENSIONS

| DN | | Approx. weight kg | øF | HP | L | A | B | E |
|------|------|-------------------|-----|-----|-----------------------|-----|-----|-----|
| mm | inch | | | | | | | |
| 100 | 4 | 69 | F10 | 45 | 290 | 185 | 225 | 100 |
| 125 | 5 | 110 | F12 | 55 | 300 | 215 | 265 | 120 |
| 150 | 6 | 135 | F12 | 65 | 300 | 240 | 290 | 120 |
| 200 | 8 | 165 | F14 | 85 | 300 | 265 | 330 | 155 |
| 250 | 10 | 275 | F16 | 95 | 470 | 300 | 375 | 180 |
| 300 | 12 | 380 | F16 | 95 | 500 | 385 | 460 | 180 |
| 350 | 14 | 398 | F25 | 135 | 550 | 400 | 500 | 245 |
| 400 | 16 | 510 | F25 | 135 | 600 | 425 | 525 | 245 |
| 450 | 18 | 680 | F30 | 160 | 650 | 450 | 550 | 350 |
| 500 | 20 | 855 | F30 | 160 | 700 | 475 | 585 | 350 |
| 600 | 24 | 1285 | F35 | 200 | | | | 350 |
| 700 | 28 | 1650 | F35 | 200 | | | | 350 |
| 800 | 32 | 2320 | F40 | 200 | Dimensions on request | | | 350 |
| 900 | 36 | 2810 | - | - | | | | - |
| 1000 | 40 | 3120 | - | - | | | | - |

OHL Gutermuth reserves the right to change the contents without notice. Without our prior consent, it may not be reproduced, disclosed to third parties.

>> SERIES KX SAFEFLEX

TECHNICAL DATA

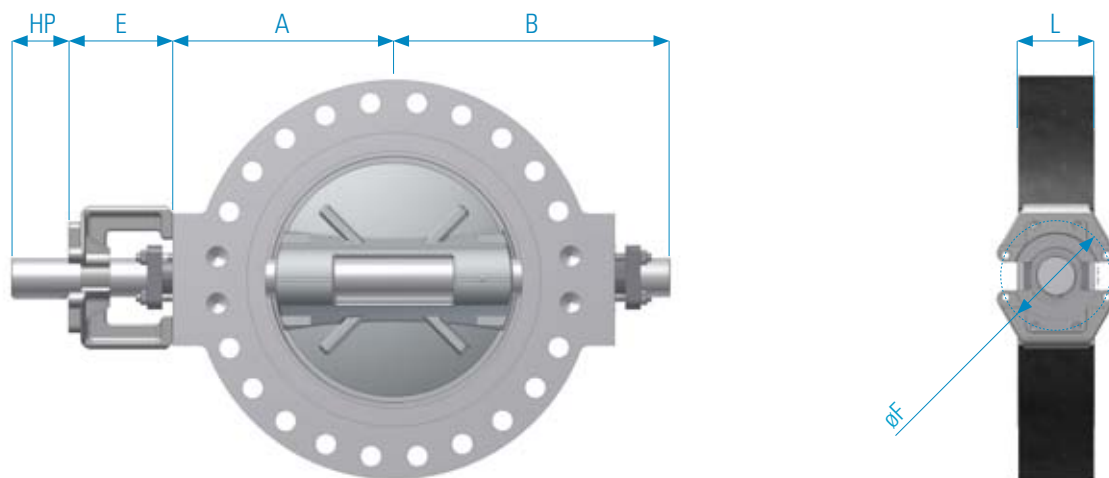


Model: KXF 10 Tripple eccentric plus

DIMENSIONS

| DN | | Approx. weight kg | øF | HP | L | A | B | E |
|------|------|-------------------|---------|-----|-----|-----|-----|-----|
| mm | inch | | | | | | | |
| 100 | 4 | 21 | F10 | 45 | 64 | 155 | 130 | 100 |
| 125 | 5 | 28 | F10 | 45 | 70 | 165 | 155 | 100 |
| 150 | 6 | 33 | F12 | 55 | 76 | 180 | 160 | 120 |
| 200 | 8 | 39 | F10 | 45 | 89 | 235 | 160 | 100 |
| 250 | 10 | 60 | F10 | 45 | 114 | 260 | 210 | 100 |
| 300 | 12 | 81 | F12 | 55 | 114 | 285 | 250 | 120 |
| 350 | 14 | 111 | F12 | 55 | 127 | 310 | 290 | 120 |
| 400 | 16 | 147 | F12/F14 | 65 | 140 | 355 | 320 | 120 |
| 450 | 18 | 194 | F14 | 75 | 152 | 380 | 340 | 155 |
| 500 | 20 | 229 | F14 | 75 | 152 | 405 | 390 | 155 |
| 600 | 24 | 307 | F14/F16 | 85 | 178 | 455 | 450 | 155 |
| 700 | 28 | 507 | F16 | 95 | 229 | 505 | 500 | 180 |
| 800 | 32 | 649 | F16/F25 | 95 | 241 | 575 | 570 | 180 |
| 900 | 36 | 791 | F16/F25 | 95 | 241 | 625 | 620 | 180 |
| 1000 | 40 | 1098 | F25 | 135 | 300 | 695 | 690 | 245 |

OHL Gutermuth reserves the right to change the contents without notice.
Without our prior consent, it may not be reproduced, disclosed to third parties.



Model: KXF 25 Tripple eccentric plus

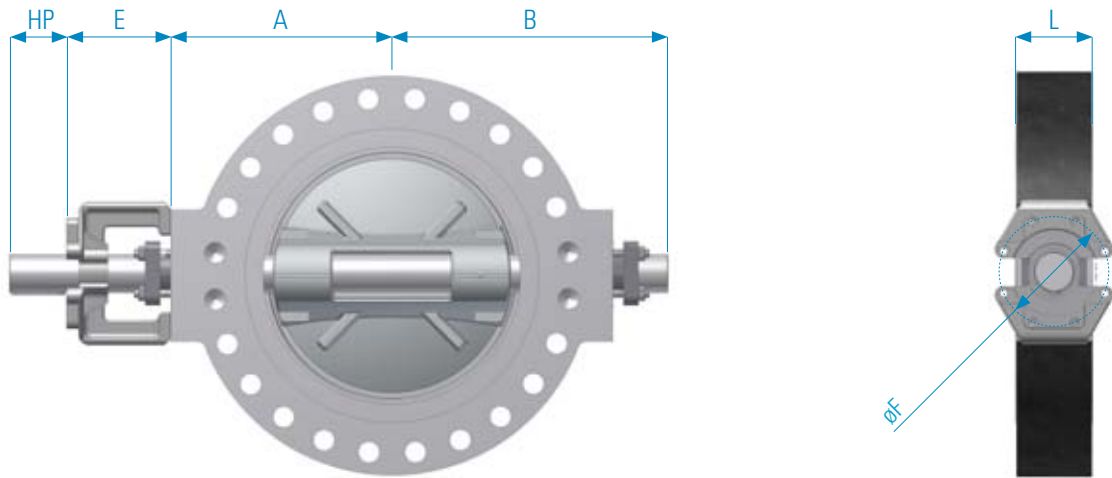
DIMENSIONS

| DN | | Approx. weight kg | øF | HP | L | A | B | E |
|------|------|-------------------|---------|-----|-----|-----|-----|-----|
| mm | inch | | | | | | | |
| 100 | 4 | 21 | F10 | 45 | 64 | 155 | 195 | 100 |
| 125 | 5 | 28 | F10 | 45 | 70 | 175 | 215 | 100 |
| 150 | 6 | 37 | F12 | 55 | 76 | 210 | 270 | 120 |
| 200 | 8 | 59 | F12 | 55 | 89 | 235 | 285 | 120 |
| 250 | 10 | 94 | F12 | 65 | 114 | 260 | 310 | 120 |
| 300 | 12 | 111 | F14 | 75 | 114 | 285 | 350 | 155 |
| 350 | 14 | 163 | F14 | 85 | 127 | 370 | 435 | 155 |
| 400 | 16 | 215 | F14 | 85 | 140 | 375 | 440 | 155 |
| 450 | 18 | 254 | F16 | 95 | 152 | 400 | 465 | 180 |
| 500 | 20 | 350 | F16 | 95 | 152 | 445 | 520 | 180 |
| 600 | 24 | 492 | F16/F25 | 95 | 178 | 495 | 570 | 180 |
| 700 | 28 | 715 | F25 | 135 | 229 | 575 | 675 | 245 |
| 800 | 32 | 961 | F25/F30 | 135 | 241 | 635 | 735 | 245 |
| 900 | 36 | 1216 | F30 | 160 | 241 | 675 | 785 | 350 |
| 1000 | 40 | 1679 | F35 | 200 | 300 | 725 | 835 | 350 |

OHL Gutermuth reserves the right to change the contents without notice. Without our prior consent, it may not be reproduced, disclosed to third parties.

>> SERIES KX SAFEFLEX

TECHNICAL DATA

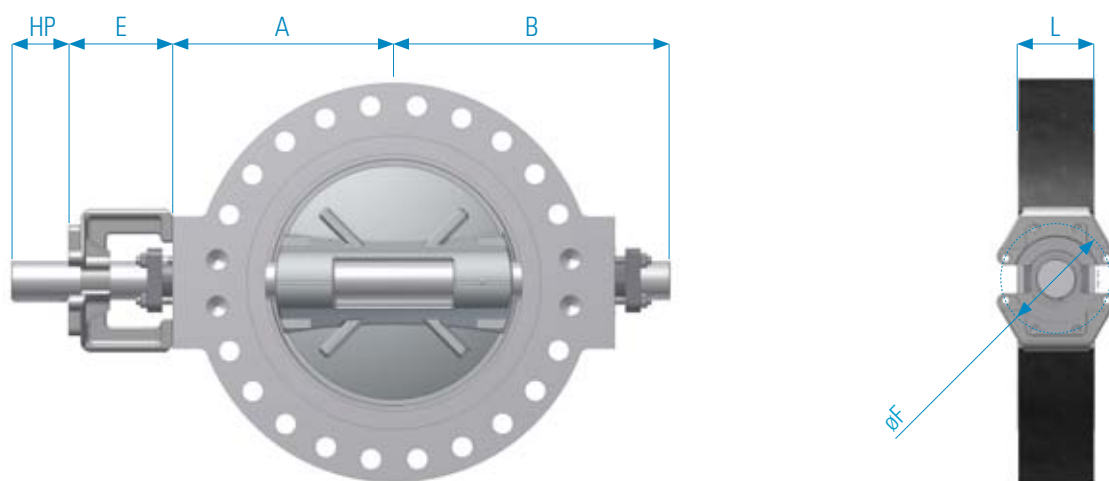


Model: KXF 50 Tripple eccentric plus

DIMENSIONS

| DN | | Approx. weight kg | øF | HP | L | A | B | E |
|------|------|-------------------|-----|-----|-----|-----------------------|-----|-----|
| mm | inch | | | | | | | |
| 100 | 4 | 21 | F10 | 45 | 64 | 185 | 225 | 100 |
| 125 | 5 | 28 | F10 | 45 | 70 | 195 | 235 | 100 |
| 150 | 6 | 39 | F12 | 55 | 76 | 205 | 245 | 120 |
| 200 | 8 | 67 | F12 | 65 | 89 | 235 | 285 | 120 |
| 250 | 10 | 112 | F14 | 85 | 114 | 260 | 325 | 155 |
| 300 | 12 | 155 | F16 | 95 | 114 | 335 | 410 | 180 |
| 350 | 14 | 221 | F16 | 95 | 127 | 370 | 445 | 180 |
| 400 | 16 | 297 | F16 | 95 | 140 | 375 | 450 | 180 |
| 450 | 18 | 312 | F16 | 95 | 152 | 400 | 475 | 180 |
| 500 | 20 | 384 | F25 | 135 | 152 | 445 | 545 | 245 |
| 600 | 24 | 683 | F30 | 160 | | | | 350 |
| 700 | 28 | 930 | F30 | 160 | | | | 350 |
| 800 | 32 | 1216 | F30 | 200 | | Dimensions on request | | 350 |
| 900 | 36 | 1638 | F35 | 200 | | | | 350 |
| 1000 | 40 | 2015 | F40 | 200 | | | | 350 |

OHL Gutermuth reserves the right to change the contents without notice.
Without our prior consent, it may not be reproduced, disclosed to third parties.



Model: KXF 100 Tripple eccentric plus

DIMENSIONS

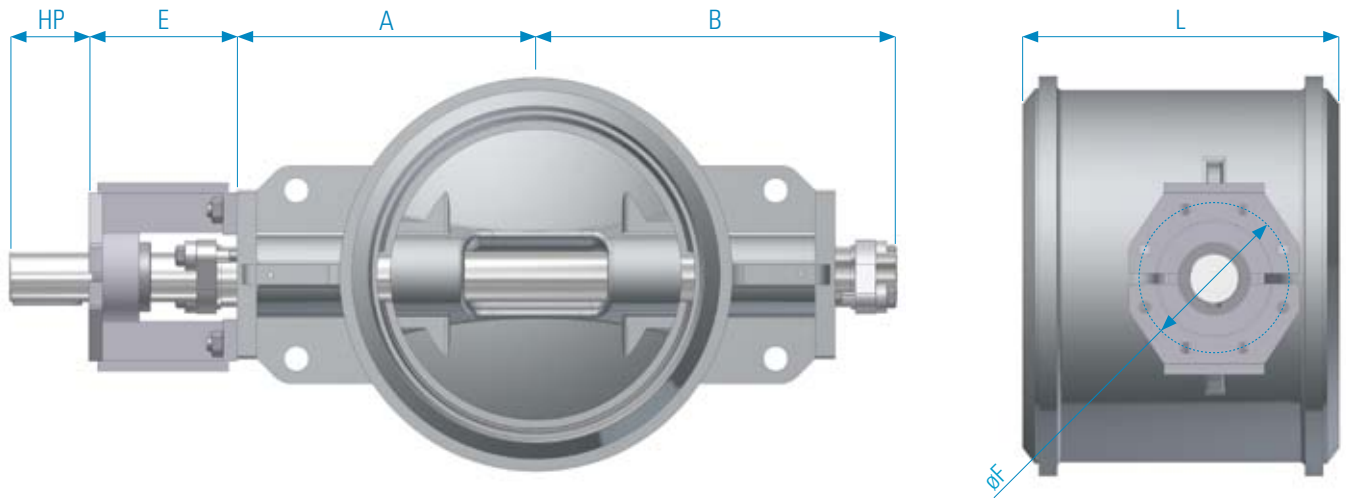
| DN | | Approx. weight kg | øF | HP | L | A | B | E |
|------|------|-------------------|------|-----|-----|-----|-----|-----|
| mm | inch | | | | | | | |
| 100 | 4 | 39 | F10, | 45 | 64 | 185 | 225 | 100 |
| 125 | 5 | 85 | F12 | 55 | 70 | 205 | 255 | 120 |
| 150 | 6 | 94 | F12 | 65 | 76 | 240 | 290 | 120 |
| 200 | 8 | 133 | F14 | 85 | 102 | 265 | 330 | 155 |
| 250 | 10 | 244 | F16 | 95 | 140 | 300 | 375 | 180 |
| 300 | 12 | 331 | F16 | 95 | 160 | 335 | 410 | 180 |
| 350 | 14 | 428 | F25 | 135 | 178 | 400 | 500 | 245 |
| 400 | 16 | 676 | F25 | 135 | 178 | 425 | 525 | 245 |
| 450 | 18 | 826 | F30 | 160 | 200 | 450 | 550 | 350 |
| 500 | 20 | 1046 | F30 | 160 | 210 | 475 | 585 | 350 |
| 600 | 24 | 1616 | F35 | 200 | 260 | 595 | 695 | 350 |
| 700 | 28 | 1801 | | | | | | |
| 800 | 32 | 1937 | | | | | | |
| 900 | 36 | 2184 | | | | | | |
| 1000 | 40 | 2405 | | | | | | |

Dimensions on request

OHL Gutermuth reserves the right to change the contents without notice. Without our prior consent, it may not be reproduced, disclosed to third parties.

»» SERIES KX SAFEFLEX

TECHNICAL DATA

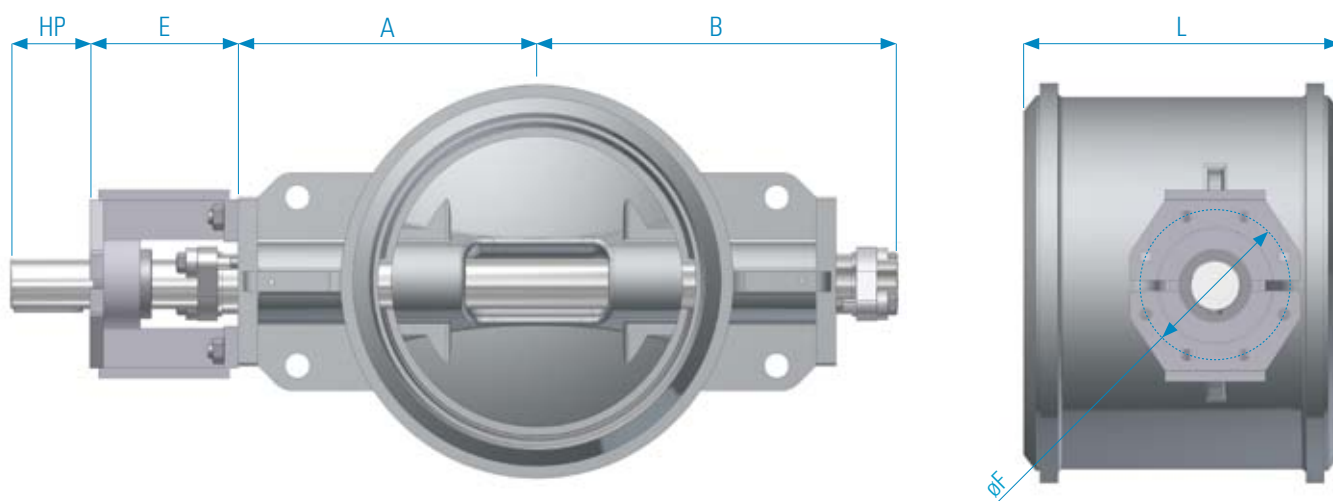


Model: KXS 25 Tripple eccentric plus

DIMENSIONS

| DN | | Approx. weight kg | øF | HP | L | A | B | E |
|------|------|----------------------|---------|-----|-----|-----|-----|-----|
| mm | inch | | | | | | | |
| 100 | 4 | - | F10 | 45 | 190 | 155 | 195 | 100 |
| 125 | 5 | - | F10 | 45 | 200 | 165 | 205 | 100 |
| 150 | 6 | - | F12 | 55 | 210 | 210 | 250 | 120 |
| 200 | 8 | - | F12 | 55 | 430 | 265 | 315 | 120 |
| 250 | 10 | - | F12 | 65 | 450 | 330 | 390 | 120 |
| 300 | 12 | - | F14 | 75 | 470 | 355 | 420 | 155 |
| 350 | 14 | - | F14 | 85 | 490 | 400 | 465 | 155 |
| 400 | 16 | - | F14 | 85 | 510 | 425 | 490 | 155 |
| 450 | 18 | - | F16 | 95 | 550 | 450 | 525 | 180 |
| 500 | 20 | - | F16 | 95 | 550 | 475 | 550 | 180 |
| 600 | 24 | - | F16/F25 | 95 | 660 | 525 | 600 | 180 |
| 700 | 28 | - | F25 | 135 | 630 | 605 | 705 | 245 |
| 800 | 32 | - | F25/F30 | 135 | 670 | 655 | 755 | 245 |
| 900 | 36 | - | F30 | 160 | 710 | 675 | 775 | 350 |
| 1000 | 40 | - | F35 | 200 | 750 | 725 | 835 | 350 |

OHL Gutermuth reserves the right to change the contents without notice.
Without our prior consent, it may not be reproduced, disclosed to third parties.



Model: KXS 50 Tripple eccentric plus

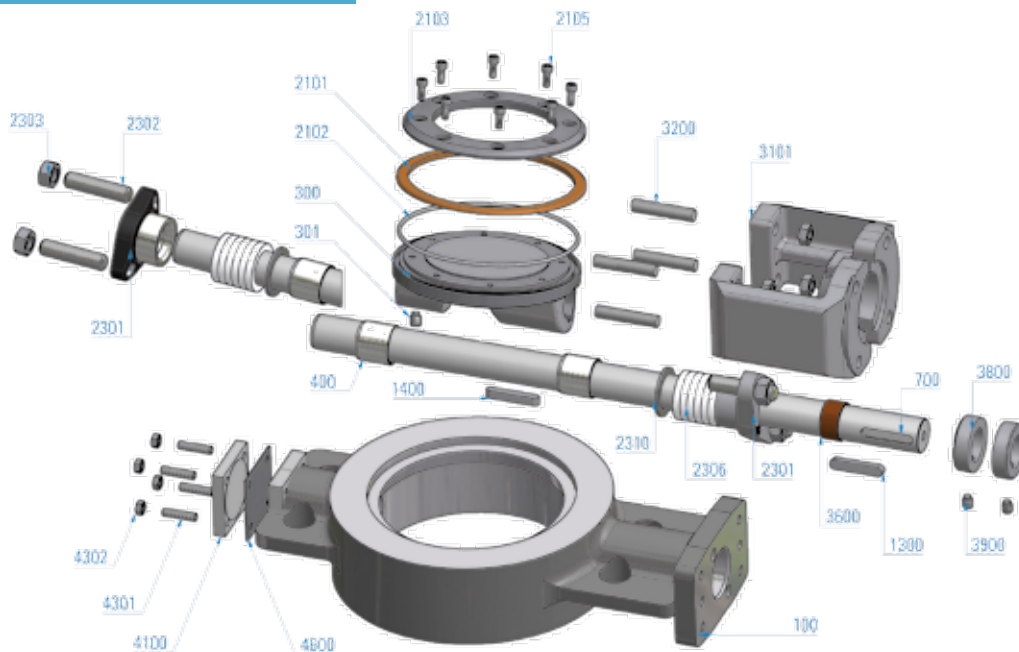
DIMENSIONS

| DN | | Approx. weight kg | øF | HP | L | A | B | E |
|------|------|-------------------|-----|-----|-----|-----|-----|-----|
| mm | inch | | | | | | | |
| 100 | 4 | - | F10 | 45 | 190 | 155 | 225 | 100 |
| 125 | 5 | - | F10 | 45 | 200 | 165 | 235 | 100 |
| 150 | 6 | - | F12 | 55 | 210 | 210 | 245 | 120 |
| 200 | 8 | - | F12 | 65 | 430 | 265 | 285 | 120 |
| 250 | 10 | - | F14 | 85 | 450 | 330 | 325 | 155 |
| 300 | 12 | - | F16 | 95 | 470 | 355 | 410 | 180 |
| 350 | 14 | - | F16 | 95 | 490 | 400 | 445 | 180 |
| 400 | 16 | - | F16 | 95 | 510 | 425 | 450 | 180 |
| 450 | 18 | - | F16 | 95 | 550 | 450 | 475 | 180 |
| 500 | 20 | - | F25 | 135 | 550 | 475 | 545 | 245 |
| 600 | 24 | - | F30 | 160 | 660 | 525 | 600 | 350 |
| 700 | 28 | - | F30 | 160 | 630 | 605 | 705 | 350 |
| 800 | 32 | - | F30 | 200 | 670 | 655 | 755 | 350 |
| 900 | 36 | - | F35 | 200 | 710 | 675 | 775 | 350 |
| 1000 | 40 | - | F40 | 200 | 750 | 725 | 835 | 350 |

OHL Gutermuth reserves the right to change the contents without notice. Without our prior consent, it may not be reproduced, disclosed to third parties.

»» SERIES KX SAFEFLEX

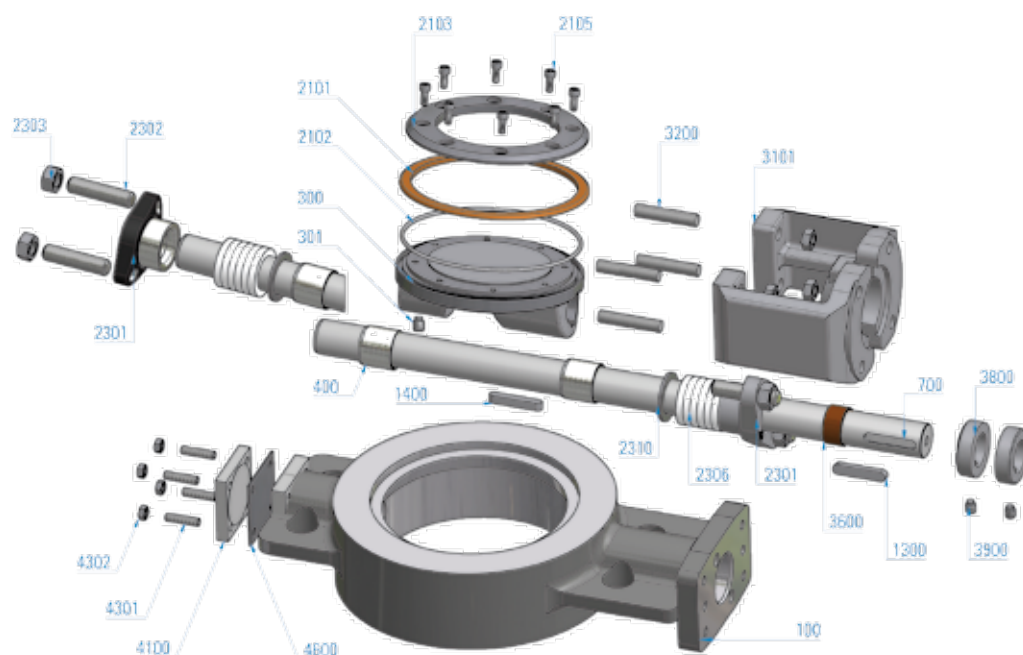
MATERIALS DIN & ANSI



Bill of material acc. to EN/DIN

| POS. | PART | STAINLESS STEEL DESIGN | CARBON STEEL DESIGN |
|------|-----------------------|----------------------------|---------------------------|
| 100 | Body | 1.4404/1.4408 | 1.0425/1.0619 |
| 300 | Disc | 1.4408 | 1.0619 |
| 301 | Stud Bolt | A2-70 | A2-70 |
| 400 | Bearing | Stellite/1.4571 nitr. | Stellite/1.4571 nitr. |
| 700 | Drive Shaft | 1.4542 | 1.4542 |
| 1300 | Feather key | C45 | C45K |
| 1400 | Feather Key | 1.4542 | C45K |
| Opt. | Sealing Ring | Stainless Steel Laminated | Stainless Steel Laminated |
| 2101 | Sealing Ring | 1.4542 | 1.4542 |
| 2102 | C-Ring | Inconel X750 | Inconel X750 |
| 2103 | Clamping Ring | 1.4571 nitr. | 1.4571 nitr. |
| 2105 | Socket head cap screw | A2-70 | A2-70 |
| 2301 | Packing gland | 1.4571/1.4581 | 1.4571/1.4581 |
| 2302 | Stud bolt | A2-70 | A2-70 |
| 2303 | Hexagon nut | A2-70 | A2-70 |
| 2306 | Packing | Graphite/PTFE | Graphite/PTFE |
| 2310 | Backup ring | 1.4571 | 1.4571 |
| 3101 | Bonnet | 1.4571/1.4581 | 0.7040 |
| 3200 | Stud bolt | A2-70 | A2-70 |
| 3300 | Hexagon nut | A2-70 | A2-70 |
| 3600 | Bushing | 1.4571/nitr. / PTFE/Bronze | PTFE/Bronze |
| 3800 | Adjusting ring | St Tenifer/nitr. | St Tenifer/nitr. |
| 3900 | Threaded pin | A2-70 | A2-70 |

Available on Request: Material for Temperature rates -196°C to 850°C - Material abrasion and corrosion resistent - Material free of Molybdenum



Bill of material acc. to ASTM

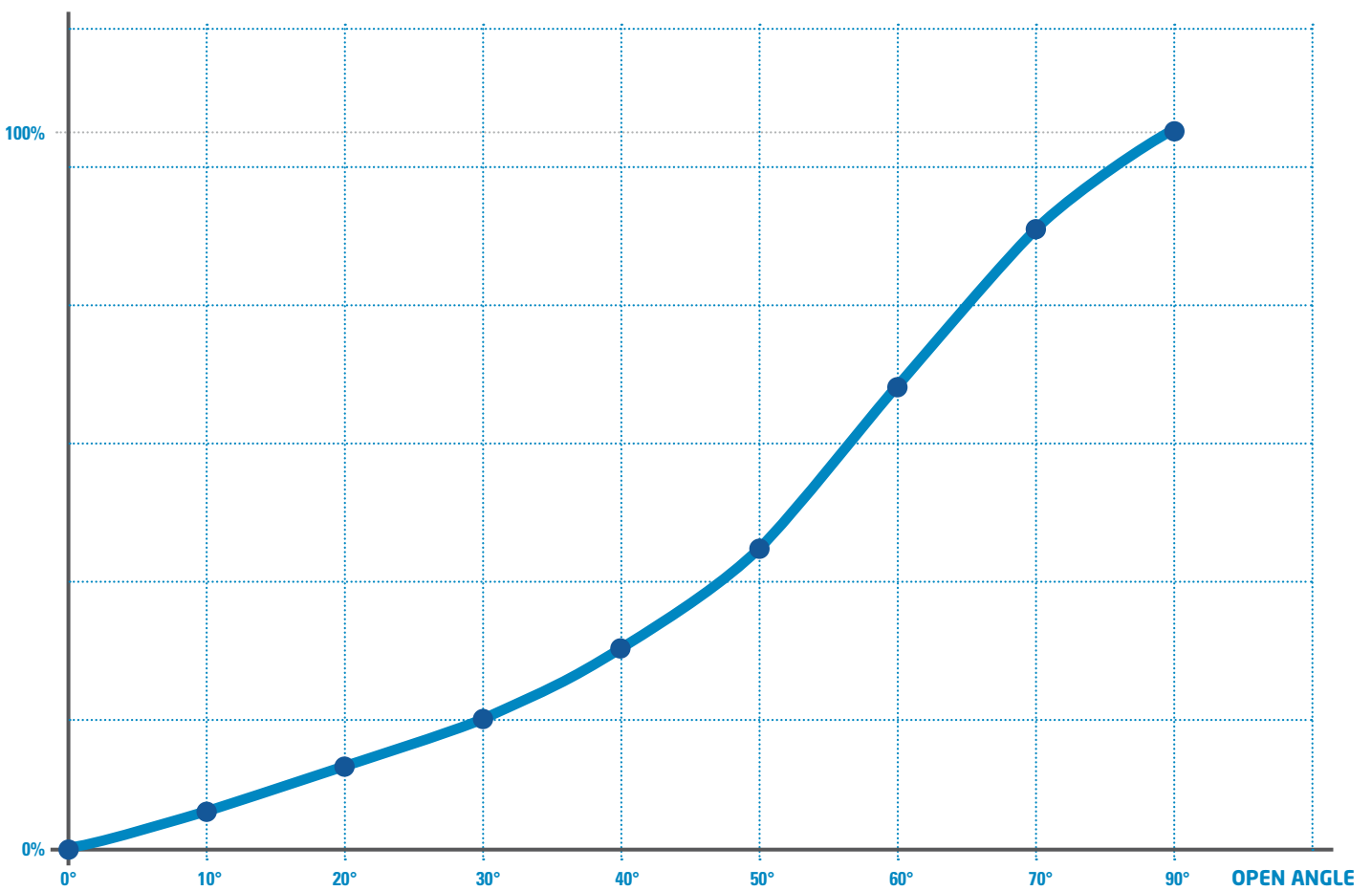
| POS. | PART | STAINLESS STEEL DESIGN | CARBON STEEL DESIGN |
|------|-----------------------|--------------------------------|-----------------------------|
| 100 | Body | ASTM A351 CF8M | ASTM A216 WCB/A516 Gr. 60 |
| 300 | Disc | ASTM A351 CF8M | ASTM A216 WCB |
| 301 | Stud Bolt | ASTM A193 Gr.B8 | ASTM A193 Gr.B8 |
| 400 | Bearing | Stellite/ AISI 316 Ti nitr. | Stellite/ AISI 316 Ti nitr. |
| 700 | Drive Shaft | ASTM A564 Gr. 630/17-4PH | ASTM A564 Gr. 630/17-4PH |
| 1300 | Feather key | C45K | C45K |
| 1400 | Feather Key | ASTM A564 Type 630/17-4PH | C45K |
| Opt. | Sealing Ring | Stainless Steel Laminated | Stainless Steel Laminated |
| 2101 | Sealing Ring | ASTM A564 Type 630/17-4PH | ASTM A564 Type 630/17-4PH |
| 2102 | C-Ring | Inconel X750 | Inconel X750 |
| 2103 | Clamping Ring | AISI 316 Ti nitr. | AISI 316 Ti nitr. |
| 2105 | Socket head cap screw | ASTM A193 Gr.B8 | ASTM A193 Gr.B8 |
| 2301 | Packing gland | AISI 316 Ti | ASTM A516 Gr. 60 |
| 2302 | Stud bolt | ASTM A193 Gr.B8 | ASTM A193 Gr.B8 |
| 2303 | Hexagon nut | ASTM A193 Gr.B8 | ASTM A193 Gr.B8 |
| 2306 | Packing | Graphite/PTFE | Graphite/PTFE |
| 2310 | Backup ring | AISI 316 Ti | AISI 316 Ti |
| 3101 | Bonnet | ASTM A351 CF8M/AISI 316 Ti | AISI 316 Ti |
| 3200 | Stud bolt | ASTM A193 Gr.B8 | ASTM A193 Gr.B8 |
| 3300 | Hexagon nut | ASTM A193 Gr.B8 | ASTM A193 Gr.B8 |
| 3600 | Bushing | AISI 316 Ti nitr./ PTFE/Bronze | PTFE/Bronze |
| 3800 | Adjusting ring | St Tenifer/nitr. | St Tenifer/nitr. |
| 3900 | Threaded pin | ASTM A193 Gr.B8 | ASTM A193 Gr.B8 |

>> SERIES KX SAFEFLEX

CLASS 150 - 600

Flow Characteristic

CV VALUE IN GAL/MIN



Cv = Flow coefficient - expressing flow rate in U.S. gallons per minute of 40 °F to 100 °F water through fully open valve with 1.0 psi pressure drop across the valve.

Kv = Flow coefficient - expressing flow rate in m³ per hour at 5 °C to 40 °C water through fully open valve with 1 bar pressure drop across the valve.

Modell: KX Class 150

KV-Values

| SIZE | | OPEN ANGLE | | | | | | | | | | |
|------|------|------------|------|------|------|-------|-------|-------|-------|-------|-------|-------|
| mm | Inch | 10° | 20° | 30° | 40° | 50° | 60° | 70° | 75° | 80° | 85° | 90° |
| 100 | 4 | 21 | 45 | 70 | 107 | 158 | 240 | 324 | 338 | 362 | 370 | 375 |
| 125 | 5 | 35 | 75 | 116 | 177 | 262 | 400 | 520 | 568 | 583 | 598 | 605 |
| 150 | 6 | 50 | 108 | 168 | 256 | 379 | 580 | 780 | 854 | 873 | 899 | 905 |
| 200 | 8 | 95 | 202 | 331 | 517 | 769 | 1079 | 1398 | 1515 | 1597 | 1644 | 1653 |
| 250 | 10 | 145 | 312 | 505 | 780 | 1174 | 1678 | 2208 | 2419 | 2574 | 2659 | 2676 |
| 300 | 12 | 212 | 506 | 813 | 1214 | 1762 | 2446 | 3167 | 3430 | 3619 | 3715 | 3742 |
| 350 | 14 | 280 | 701 | 1121 | 1648 | 2350 | 3213 | 4127 | 4442 | 4664 | 4771 | 5020 |
| 400 | 16 | 308 | 688 | 1140 | 1786 | 2704 | 3939 | 5470 | 6300 | 7106 | 7452 | 7486 |
| 450 | 18 | 337 | 674 | 1159 | 1923 | 3057 | 4664 | 6814 | 8158 | 9547 | 10097 | 10201 |
| 500 | 20 | 560 | 1084 | 1824 | 2994 | 4691 | 7159 | 10422 | 12245 | 13773 | 14584 | 14636 |
| 600 | 24 | 784 | 1494 | 2489 | 4065 | 6325 | 9654 | 14030 | 16333 | 17998 | 18958 | 19071 |
| 700 | 28 | 764 | 1487 | 2697 | 4656 | 7569 | 11842 | 17561 | 20697 | 23309 | 25216 | 25989 |
| 750 | 30 | 745 | 1481 | 2906 | 5247 | 8813 | 14029 | 21091 | 25060 | 28289 | 31474 | 32908 |
| 800 | 32 | 746 | 1475 | 3130 | 5912 | 10261 | 16621 | 25332 | 30344 | 34332 | 39284 | 41668 |
| 900 | 36 | 1055 | 2209 | 4350 | 7826 | 13168 | 21040 | 31491 | 36884 | 41914 | 46510 | 48732 |
| 1000 | 40 | 1364 | 2943 | 5570 | 9740 | 16074 | 25460 | 37651 | 43424 | 49495 | 53736 | 55796 |

CV-Values

| SIZE | | OPEN ANGLE | | | | | | | | | | |
|------|------|------------|------|------|-------|-------|-------|-------|-------|-------|-------|-------|
| mm | Inch | 10° | 20° | 30° | 40° | 50° | 60° | 70° | 75° | 80° | 85° | 90° |
| 100 | 4 | 25 | 53 | 82 | 125 | 185 | 281 | 379 | 395 | 424 | 433 | 439 |
| 125 | 5 | 41 | 88 | 136 | 207 | 307 | 468 | 608 | 665 | 682 | 700 | 708 |
| 150 | 6 | 59 | 126 | 197 | 300 | 443 | 679 | 913 | 999 | 1021 | 1052 | 1059 |
| 200 | 8 | 111 | 236 | 387 | 605 | 900 | 1262 | 1636 | 1773 | 1868 | 1923 | 1934 |
| 250 | 10 | 170 | 365 | 591 | 913 | 1374 | 1963 | 2583 | 2830 | 3012 | 3111 | 3131 |
| 300 | 12 | 248 | 592 | 951 | 1420 | 2062 | 2862 | 3705 | 4013 | 4234 | 4347 | 4378 |
| 350 | 14 | 328 | 820 | 1312 | 1928 | 2750 | 3759 | 4829 | 5197 | 5457 | 5582 | 5873 |
| 400 | 16 | 360 | 805 | 1334 | 2090 | 3164 | 4609 | 6400 | 7371 | 8314 | 8719 | 8759 |
| 450 | 18 | 394 | 789 | 1356 | 2250 | 3577 | 5457 | 7972 | 9545 | 11170 | 11813 | 11935 |
| 500 | 20 | 655 | 1268 | 2134 | 3503 | 5488 | 8376 | 12194 | 14327 | 16114 | 17063 | 17124 |
| 600 | 24 | 917 | 1748 | 2912 | 4756 | 7400 | 11295 | 16415 | 19110 | 21058 | 22181 | 22313 |
| 700 | 28 | 894 | 1740 | 3155 | 5448 | 8856 | 13855 | 20546 | 24215 | 27272 | 29503 | 30407 |
| 750 | 30 | 872 | 1733 | 3400 | 6139 | 10311 | 16414 | 24676 | 29320 | 33098 | 36825 | 38502 |
| 800 | 32 | 873 | 1726 | 3662 | 6917 | 12005 | 19447 | 29638 | 35502 | 40168 | 45962 | 48752 |
| 900 | 36 | 1234 | 2585 | 5090 | 9156 | 15407 | 24617 | 36844 | 43154 | 49039 | 54417 | 57016 |
| 1000 | 40 | 1596 | 3443 | 6517 | 11396 | 18807 | 29788 | 44052 | 50806 | 57909 | 62871 | 65281 |

»» SERIES KX SAFEFLEX

CLASS 150 - 600

Modell: KX Class 300

KV-Values

| SIZE | | OPEN ANGLE | | | | | | | | | | |
|------|------|------------|------|------|------|-------|-------|-------|-------|-------|-------|-------|
| mm | Inch | 10° | 20° | 30° | 40° | 50° | 60° | 70° | 75° | 80° | 85° | 90° |
| 100 | 4 | 21 | 45 | 70 | 107 | 158 | 240 | 324 | 338 | 362 | 370 | 375 |
| 125 | 5 | 35 | 75 | 116 | 177 | 262 | 400 | 520 | 568 | 583 | 598 | 605 |
| 150 | 6 | 50 | 108 | 168 | 256 | 379 | 580 | 780 | 854 | 873 | 899 | 905 |
| 200 | 8 | 95 | 202 | 331 | 517 | 769 | 1079 | 1398 | 1515 | 1597 | 1644 | 1653 |
| 250 | 10 | 145 | 312 | 505 | 780 | 1174 | 1678 | 2208 | 2419 | 2574 | 2659 | 2676 |
| 300 | 12 | 212 | 506 | 813 | 1214 | 1762 | 2446 | 3167 | 3430 | 3619 | 3715 | 3742 |
| 350 | 14 | 280 | 701 | 1121 | 1648 | 2350 | 3213 | 4127 | 4442 | 4664 | 4771 | 5020 |
| 400 | 16 | 308 | 688 | 1140 | 1786 | 2704 | 3939 | 5470 | 6300 | 7106 | 7452 | 7486 |
| 450 | 18 | 337 | 674 | 1159 | 1923 | 3057 | 4664 | 6814 | 8158 | 9547 | 10097 | 10201 |
| 500 | 20 | 560 | 1084 | 1824 | 2994 | 4691 | 7159 | 10422 | 12245 | 13773 | 14584 | 14636 |
| 600 | 24 | 666 | 1270 | 2116 | 3455 | 5376 | 8206 | 11926 | 13883 | 15298 | 16114 | 16210 |
| 700 | 28 | 649 | 1264 | 2292 | 3958 | 6434 | 10066 | 14927 | 17592 | 19813 | 21434 | 22091 |
| 750 | 30 | 633 | 1259 | 2470 | 4460 | 7491 | 11925 | 17927 | 21301 | 24046 | 26753 | 27972 |
| 800 | 32 | 634 | 1254 | 2661 | 5025 | 8722 | 14128 | 21532 | 25792 | 29182 | 33391 | 35418 |
| 900 | 36 | 897 | 1878 | 3698 | 6652 | 11193 | 17884 | 26767 | 31351 | 35627 | 39534 | 41422 |
| 1000 | 40 | 1159 | 2502 | 4735 | 8279 | 13663 | 21641 | 32003 | 36910 | 42071 | 45676 | 47427 |

CV-Values

| SIZE | | OPEN ANGLE | | | | | | | | | | |
|------|------|------------|------|------|------|-------|-------|-------|-------|-------|-------|-------|
| mm | Inch | 10° | 20° | 30° | 40° | 50° | 60° | 70° | 75° | 80° | 85° | 90° |
| 100 | 4 | 25 | 53 | 82 | 125 | 185 | 281 | 379 | 395 | 424 | 433 | 439 |
| 125 | 5 | 41 | 88 | 136 | 207 | 307 | 468 | 608 | 665 | 682 | 700 | 708 |
| 150 | 6 | 59 | 126 | 197 | 300 | 443 | 679 | 913 | 999 | 1021 | 1052 | 1059 |
| 200 | 8 | 111 | 236 | 387 | 605 | 900 | 1262 | 1636 | 1773 | 1868 | 1923 | 1934 |
| 250 | 10 | 170 | 365 | 591 | 913 | 1374 | 1963 | 2583 | 2830 | 3012 | 3111 | 3131 |
| 300 | 12 | 248 | 592 | 951 | 1420 | 2062 | 2862 | 3705 | 4013 | 4234 | 4347 | 4378 |
| 350 | 14 | 328 | 820 | 1312 | 1928 | 2750 | 3759 | 4829 | 5197 | 5457 | 5582 | 5873 |
| 400 | 16 | 360 | 805 | 1334 | 2090 | 3164 | 4609 | 6400 | 7371 | 8314 | 8719 | 8759 |
| 450 | 18 | 394 | 789 | 1356 | 2250 | 3577 | 5457 | 7972 | 9545 | 11170 | 11813 | 11935 |
| 500 | 20 | 655 | 1268 | 2134 | 3503 | 5488 | 8376 | 12194 | 14327 | 16114 | 17063 | 17124 |
| 600 | 24 | 780 | 1486 | 2475 | 4043 | 6290 | 9601 | 13953 | 16243 | 17899 | 18854 | 18966 |
| 700 | 28 | 760 | 1479 | 2682 | 4630 | 7527 | 11777 | 17464 | 20583 | 23181 | 25077 | 25846 |
| 750 | 30 | 741 | 1473 | 2890 | 5218 | 8765 | 13952 | 20975 | 24922 | 28133 | 31301 | 32727 |
| 800 | 32 | 742 | 1467 | 3113 | 5879 | 10205 | 16530 | 25193 | 30177 | 34143 | 39068 | 41439 |
| 900 | 36 | 1049 | 2197 | 4326 | 7783 | 13096 | 20924 | 31318 | 36681 | 41683 | 46254 | 48464 |
| 1000 | 40 | 1356 | 2927 | 5539 | 9686 | 15986 | 25320 | 37444 | 43185 | 49223 | 53440 | 55489 |

Modell: KX Class 600

KV-Values

| SIZE | | OPEN ANGLE | | | | | | | | | | |
|------|------|------------|------|------|------|-------|-------|-------|-------|-------|-------|-------|
| mm | Inch | 10° | 20° | 30° | 40° | 50° | 60° | 70° | 75° | 80° | 85° | 90° |
| 100 | 4 | 18 | 38 | 60 | 91 | 134 | 204 | 275 | 287 | 308 | 315 | 319 |
| 125 | 5 | 30 | 64 | 99 | 150 | 223 | 340 | 442 | 483 | 496 | 508 | 514 |
| 150 | 6 | 43 | 92 | 143 | 218 | 322 | 493 | 663 | 726 | 742 | 764 | 769 |
| 200 | 8 | 81 | 172 | 281 | 439 | 654 | 917 | 1188 | 1288 | 1357 | 1397 | 1405 |
| 250 | 10 | 123 | 265 | 429 | 663 | 998 | 1426 | 1877 | 2056 | 2188 | 2260 | 2275 |
| 300 | 12 | 180 | 430 | 691 | 1032 | 1498 | 2079 | 2692 | 2916 | 3076 | 3158 | 3181 |
| 350 | 14 | 238 | 596 | 953 | 1401 | 1998 | 2731 | 3508 | 3776 | 3964 | 4055 | 4267 |
| 400 | 16 | 262 | 585 | 969 | 1518 | 2298 | 3348 | 4650 | 5355 | 6040 | 6334 | 6363 |
| 450 | 18 | 286 | 573 | 985 | 1635 | 2598 | 3964 | 5792 | 6934 | 8115 | 8582 | 8671 |
| 500 | 20 | 476 | 921 | 1550 | 2545 | 3987 | 6085 | 8859 | 10408 | 11707 | 12396 | 12441 |
| 600 | 24 | 566 | 1079 | 1798 | 2937 | 4570 | 6975 | 10137 | 11801 | 13004 | 13697 | 13779 |
| 700 | 28 | 552 | 1074 | 1949 | 3364 | 5469 | 8556 | 12688 | 14954 | 16841 | 18219 | 18777 |
| 750 | 30 | 538 | 1070 | 2100 | 3791 | 6367 | 10136 | 15238 | 18106 | 20439 | 22740 | 23776 |
| 800 | 32 | 539 | 1066 | 2261 | 4271 | 7414 | 12009 | 18302 | 21924 | 24805 | 28383 | 30105 |
| 900 | 36 | 762 | 1596 | 3143 | 5654 | 9514 | 15201 | 22752 | 26649 | 30283 | 33603 | 35209 |
| 1000 | 40 | 985 | 2126 | 4024 | 7037 | 11613 | 18395 | 27203 | 31374 | 35760 | 38824 | 40313 |

CV-Values

| SIZE | | OPEN ANGLE | | | | | | | | | | |
|------|------|------------|------|------|------|-------|-------|-------|-------|-------|-------|-------|
| mm | Inch | 10° | 20° | 30° | 40° | 50° | 60° | 70° | 75° | 80° | 85° | 90° |
| 100 | 4 | 21 | 45 | 70 | 106 | 157 | 239 | 322 | 336 | 360 | 368 | 373 |
| 125 | 5 | 35 | 75 | 115 | 176 | 261 | 398 | 517 | 565 | 580 | 595 | 602 |
| 150 | 6 | 50 | 107 | 167 | 255 | 377 | 577 | 776 | 849 | 868 | 894 | 900 |
| 200 | 8 | 94 | 201 | 329 | 514 | 765 | 1073 | 1390 | 1507 | 1588 | 1635 | 1644 |
| 250 | 10 | 144 | 310 | 502 | 776 | 1168 | 1669 | 2196 | 2406 | 2560 | 2644 | 2661 |
| 300 | 12 | 211 | 503 | 809 | 1207 | 1752 | 2433 | 3150 | 3411 | 3599 | 3695 | 3721 |
| 350 | 14 | 278 | 697 | 1115 | 1639 | 2337 | 3195 | 4104 | 4418 | 4638 | 4745 | 4992 |
| 400 | 16 | 306 | 684 | 1134 | 1776 | 2689 | 3917 | 5440 | 6265 | 7067 | 7411 | 7445 |
| 450 | 18 | 335 | 670 | 1153 | 1912 | 3040 | 4638 | 6777 | 8113 | 9494 | 10041 | 10145 |
| 500 | 20 | 557 | 1078 | 1814 | 2978 | 4665 | 7120 | 10365 | 12178 | 13697 | 14504 | 14556 |
| 600 | 24 | 663 | 1263 | 2104 | 3436 | 5347 | 8161 | 11860 | 13807 | 15214 | 16026 | 16121 |
| 700 | 28 | 646 | 1257 | 2280 | 3936 | 6398 | 10010 | 14845 | 17496 | 19704 | 21316 | 21969 |
| 750 | 30 | 630 | 1252 | 2457 | 4435 | 7450 | 11859 | 17829 | 21184 | 23913 | 26606 | 27818 |
| 800 | 32 | 631 | 1247 | 2646 | 4998 | 8674 | 14050 | 21414 | 25651 | 29022 | 33208 | 35223 |
| 900 | 36 | 892 | 1867 | 3677 | 6616 | 11131 | 17786 | 26620 | 31179 | 35431 | 39316 | 41194 |
| 1000 | 40 | 1153 | 2488 | 4708 | 8233 | 13588 | 21522 | 31827 | 36707 | 41839 | 45424 | 47166 |

QUALITY

RESEARCH AND DEVELOPMENT



The manifold application criterias for valves require strict measures in terms of manufacturing and testing. Our ISO 9001 approved quality system covers all process stages and ensures constant results. With measuring instruments of the latest state of the art we are performing safety and functional tests. Permanent on going research and development are based upon experiences in reference plants worldwide. Our final products are undergoing continuous endurance tests and will be constantly improved according to the latest state of technology. All these measures are ensuring optimization of performance and adaptation to the latest technical innovations.

SHUT-OFF AND MODULATING SERVICE - SAFE AND ECONOMIC

OHL Gutermuth Industrial Valves GmbH

Helmershäuserstraße 9 + 12

63674 Altenstadt

Phone 0 60 47. 80 06 - 0

Fax 0 60 47. 80 06 - 29/36

info@ohl-gutermuth.de

www.ohl-gutermuth.de



OHL Gutermuth Industrial Valves GmbH